



# MK3053C

## New MK Series Model *Technology In Motion*

Fully Proportional Radio Remote Control  
Automatic & Stepless Multi Outrigger Setting  
Variable Crawler Gauge  
Main Boom with 4 Falls Hook Mode  
Diesel / Electric / Battery spec  
Negative Angle Jib (Detachable)



Crane Capacity  
**2.8t x 1.8m**  
(1.0t x 4.7m with Jib)

Max. Working Radius  
**14.3m**

Max. Lifting Height  
**16.95m**



Fully Proportional Radio Remote Control



2-ways Jib Head Position



Variable Crawler Gauge



# New MK Series Model

# MK3053C



## Specifications

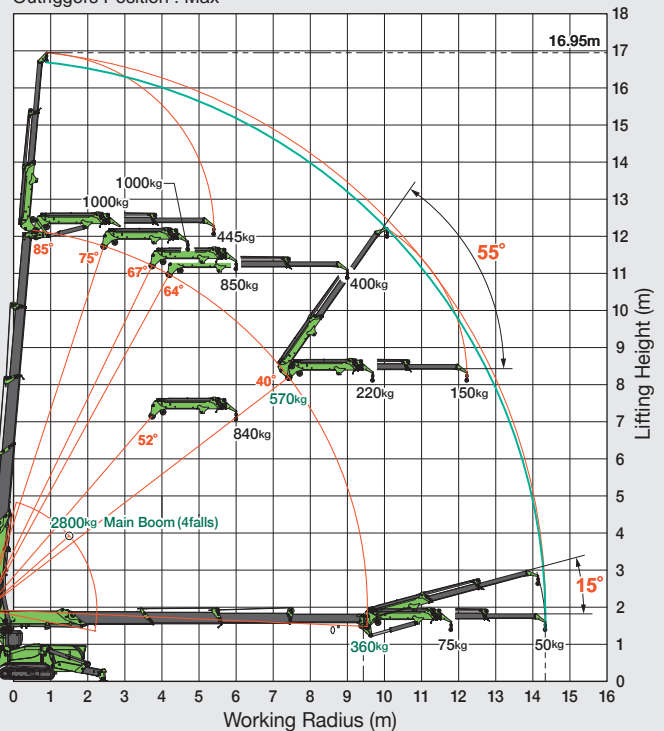
Model		MK3053CW		
Crane capacity Main boom / Jib		2.8t x 1.8m / 1.0t x 4.7m		
Max. working radius Main boom / Jib		9.4m / 14.3m		
Max.lifting height (on the ground) Main boom / Jib		12.0m / 16.95m		
Boom	Telescopic system	Type	Fully automatic 5-section pentagonal telescopic boom	
		Boom length	3.1m - 10.3m	
		Boom telescoping stroke / time	7.2m / 59sec	
Boom hoist system		Hoist angle / time	0 to 85deg / 26sec	
Jib	Telescopic system	Type	Fully automatic 3-section pentagonal telescopic jib	
		Jib length	2.3m - 4.8m	
		Jib telescoping stroke / time	2.5m / 18.6sec	
	Jib hoist system		Hoist angle / time	195deg / 17.5sec
Slew system		Slew angle / time	360deg / 1.1rpm	
Outrigger system		Type	Hydraulic cylinder direct acting type	
		Max.extended width	(Lateral)4,546 × (Front)4,537 × (Rear)4,315mm	
		Extended position	Multi (stepless)	
Travel system		Type	Hydraulic motor driven , stepless speed changer	
		Travel speed	0 - 2.4km/h	
		Gradability STD / WIDE	18.5deg / 26deg	
		Crawler ground length x width	950mm x 180mm	
		Gauge width	780mm - 1,050mm	
		Ground pressure	83.4kpa [0.85kgf/cm <sup>2</sup> ]	
Engine (MK3053CW, MK3053CWE)		Model	KUBOTA Z482-E4B	
		Displacement	0.479L [479cc]	
		Rated output	7.2kw/2,600min <sup>-1</sup> [9.8ps/2,600rpm]	
		Fuel	Diesel	
Electric Motor (MK3053CWE)		Motor type	Totally enclosed fan-cooled motor 4.0kw, 4P 380V(200-415V)	
Battery system (MK3053CWB)		Type	Lithium Titanate Battery	
		5-hour rate capacity	DC55V-135Ah, 7.4kWh	
		Input Voltage / current		Single phase AC200V/16A, AC100V/14A
		Charging time	with AC-200V	80%: 2h20min / 100%: 3h30min
			with AC-100V	80%: 5h20min / 100%: 7h00min
		Operating time		Up to a full working day if charged during operation
Charging during operation		Available		
Remote control system		Type	Paddle type radio & Proportional control	
Overall length × width × height		3,195mm × 780mm × 1,945mm		
Machine weight (MK3053CWE)		2,900kg		
Optional equipment		Winch (4 falls) Black or White rubber tracks (depends on spec)		



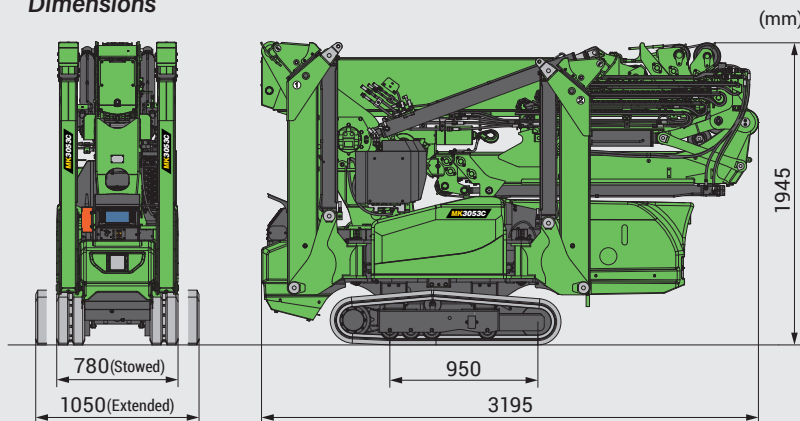
Automatic & Stepless Multi Outrigger Setting

## Working Range Chart

Outriggers Position : Max



## Dimensions



**!** Before use, please read the Operation Manual

\* Due to improvements, the specifications are subject to change without notice.

**MAEDA SEISAKUSHO CO., LTD.**  
MAEDA

Head office  
No.1095, Onbegawa, Shinonoi, Nagano-City, Nagano-Pref. 388-8522 Japan  
TEL.+81(0)26 292 2228 FAX.+81(0)26 293 5590  
URL : [www.maeda-minicranes.com](http://www.maeda-minicranes.com) E-mail : [contact@maeda-minicranes.com](mailto:contact@maeda-minicranes.com)



Thank you for your support as we celebrate the 60th anniversary of Maeda Seisakusho in 2022. Since it was founded, Maeda Seisakusho has delivered safety and security to customers with reliable quality and passion. The passion of each and every employee has never changed. We are grateful to everyone who has supported us. We will continue to challenge ourselves as we aim for a bright future full of smiles.